

USING THE TPU FUNCTION LIBRARY AND TPU EMULATION MODE

By Jeff Wright and Mike Pauwels

1 Abstract

The Motorola time processor unit (TPU) is an on-chip peripheral device used in the M68300 and M68HC16 families of modular microcontrollers. This note describes the TPU function library and explains how to use it. There is sufficient information for a user to select a new suite of functions from the library, assemble them to run in TPU emulation mode, and submit the debugged assemblage as a new TPU micro-ROM code mask. Although background information is provided, the reader must refer to the *TPU Reference Manual* (TPURM/AD) for details. This note is the first of a series. Subsequent notes document functions in the library.

2 Introduction

The time processor unit is a powerful, intelligent, on-chip peripheral. It is effectively a 'co-microcontroller' dedicated to performing complex timing and I/O tasks, and thus relieves the CPU of most of the overhead associated with these tasks. Major TPU components are:

- 16 channels, each associated with an I/O pin, an input capture register, and an output compare register with comparator.
- Two free-running 16-bit counters with programmable prescalers used for timing control of channel events.
- A task switched microengine that interfaces to each of the channels and executes microcode programs to control those channels.
- A control store (micro-ROM) that contains programs the microengine executes.
- A dual-port RAM for communication between the TPU and the host CPU.

The control store can contain up to 16 separate microengine programs (called TPU functions), each of which can be executed on any one or more of the 16 TPU channels. The standard TPU control store contains nine factory programmed functions that can perform a wide variety of control tasks. However, the standard functions may not be adequate for all applications. New TPU functions can be developed either by Motorola or by the user to meet additional needs. In the future, there may be new combinations of functions released as standard TPU micro-ROM masks by Motorola.

The procedures detailed in this note are intended for users who have found that the standard TPU functions do not ideally match the requirements of their application, and who wish to investigate alternative Motorola functions or who wish to integrate one or more functions they have written with standard functions. The actual development of new TPU functions is beyond the scope of this document, but a microcode training course from Motorola is available on request. It is strongly recommended that for simplicity, new TPU users should attempt to fit the standard control store functions to their application before taking this approach.



3 Running Alternate Function Sets

A user who wishes to use a new TPU function set has two options:

1. Assemble the new function set and have a custom TPU micro-ROM mask made. A mask charge and minimum order quantity are associated with this option.
2. Make use of the special emulation mode built into the TPU. In emulation mode, on-chip RAM normally used by host CPU is loaded with TPU microcode and then configured for TPU use (see **Figure 1**). In emulation mode, the TPU can run a new function set from RAM with no loss of performance. Bear in mind that on-chip RAM used by the TPU cannot be used by the CPU; and that loading emulation RAM with TPU code after power-up takes time. In many cases, emulation mode provides the most suitable and cost effective approach to development and use of new code.

4 TPU Control Store Organization

The TPU control store consists of a contiguous 2 Kbyte block of micro-ROM arranged as 512 long words (See **Figure 2**). This memory is divided into a microcode segment and an entry point segment. Each TPU function has 16 word-sized entry points associated with it; there are a total of 128 long words for all 16 possible functions. Entry points are arranged in order by function number (0 to 15). Function numbers are assigned to functions as part of the assembly process. Each entry point acts as a vector, forcing function execution to begin at a known address. The entry point (vector) used at the start of each channel service depends on several conditions. Refer to the *TPU Reference Manual* (TPURM/AD) for more information.

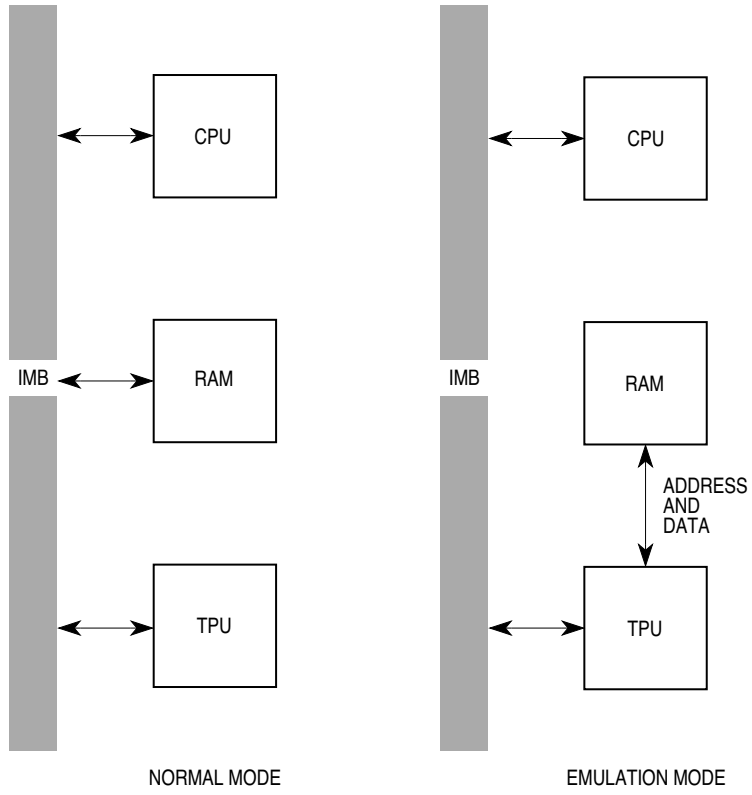
It is often neither possible nor necessary to fit 16 functions into the control store. When this is the case, the memory area occupied by entry points of unused function numbers is available for extra microcode space. Begin function number assignment with 15 and work down, so that any unused entry point segment is contiguous with the normal microcode segment. This is the most efficient use of the available space. **Figure 3** shows unused entry points being used for additional opcode space.

5 Emulation Mode Memory Map

When the TPU enters emulation mode, internal microcontroller RAM is dedicated to the TPU and replaces the control store ROM. Most microcontrollers currently available with a TPU have a full 2 Kbytes of internal RAM, which allows complete emulation of the control store. Figure 2 shows the equivalent host CPU byte addresses that are used to load internal RAM with TPU microcode before invoking emulation mode.

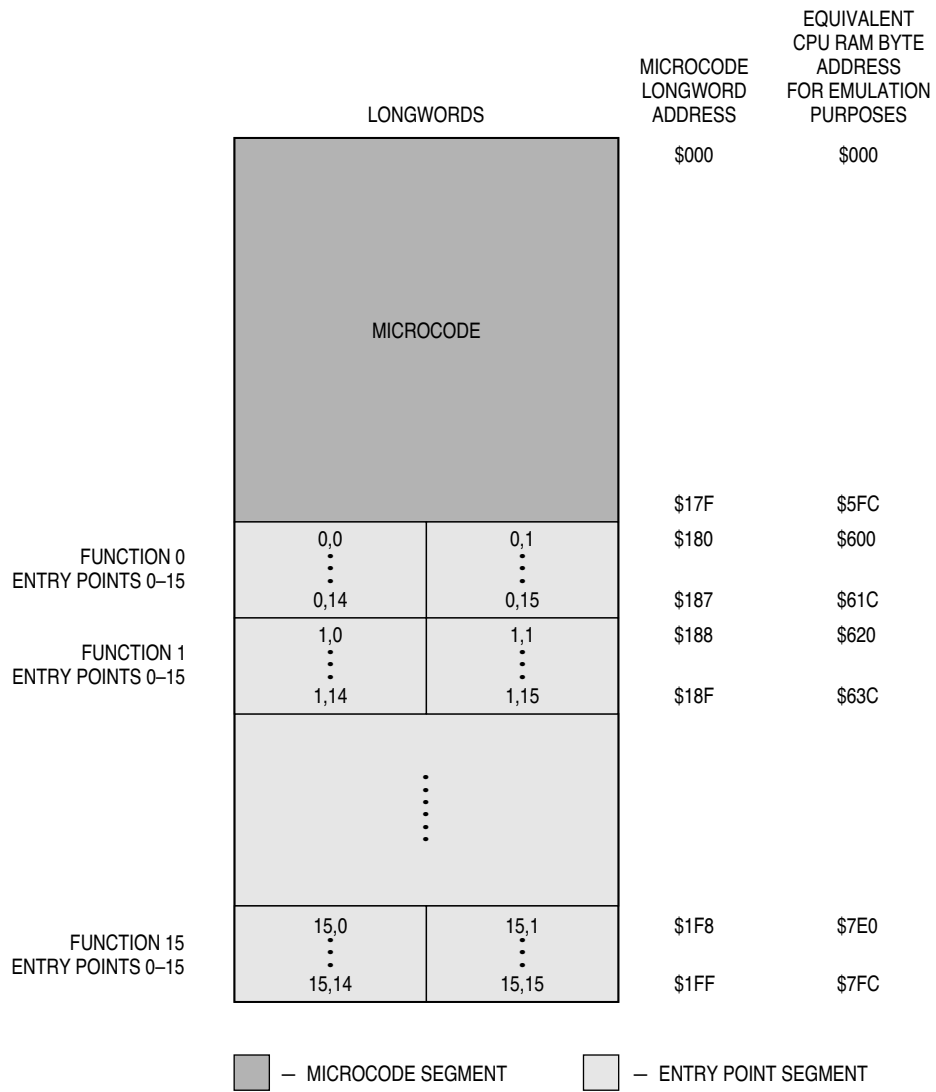
The MC68334 microcontroller contains 1 Kbyte of internal RAM. With this device, it is only possible to emulate half the TPU control store at any one time. **Figure 4** shows emulation memory map and equivalent RAM addresses for this device.

In the MC68F333 microcontroller, the 3.5 Kbyte TPURAM module is larger than the TPU microcode control store. In this devices, only a portion of the RAM is used for TPU emulation, but the entire RAM is removed from the CPU memory map during emulation. In the future, there may be other microcontrollers with on-chip RAM modules that are larger than the TPU microcode control store, however, the emulation mode memory map will never be larger than the control store map.



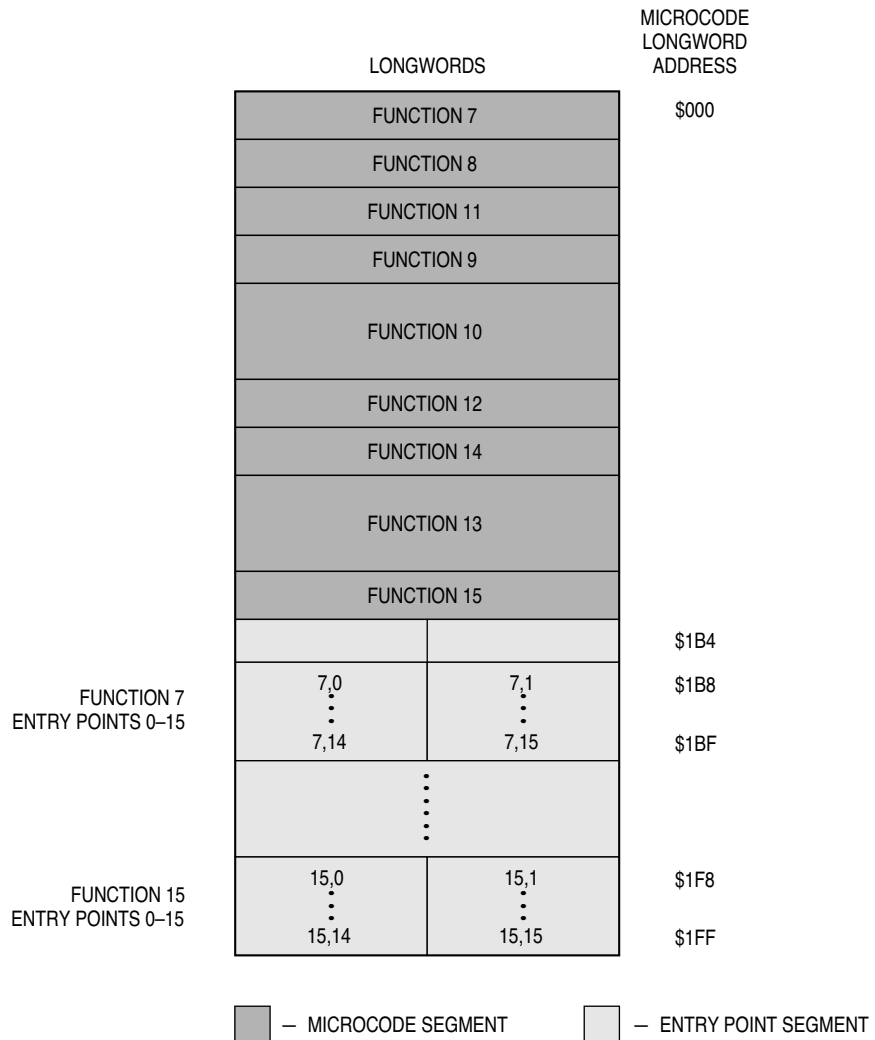
F1

Figure 1 On-Chip RAM Configuration



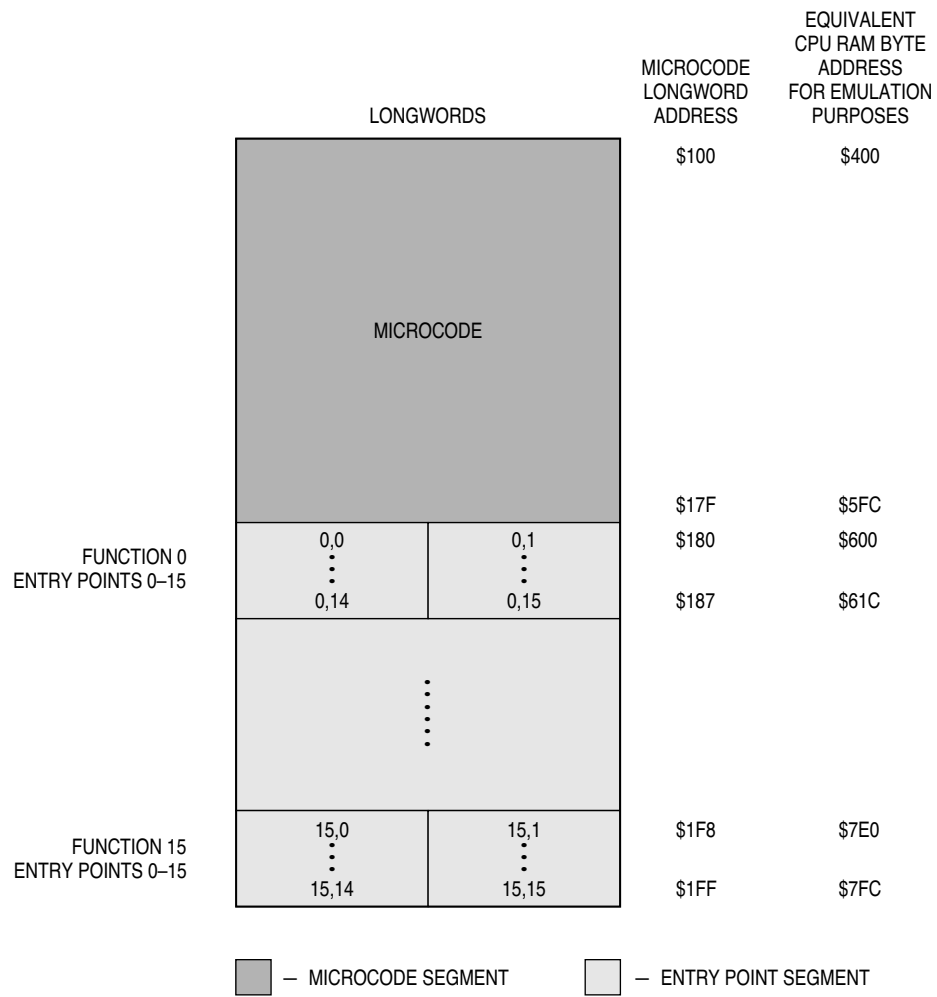
F2

Figure 2 TPU Control Store and 2 Kbyte Emulation RAM Map



F3

Figure 3 Extending Microcode Segment By Means of Unused Entry Points



F4

Figure 4 1 Kbyte Emulation RAM Memory Map

6 Selecting Functions from the TPU Library

To support changing TPU application requirements and to allow inclusion of customer-defined TPU functions, Motorola has established a TPU function library. The function library is a collection of TPU functions written for easy assembly in combination with each other or with custom functions. The library currently includes all functions from the standard microcode ROM and several others that offer additional functionality (See Appendix B). Other functions are being developed — the list of functions will continue to grow as Motorola responds to requests for new features.

Documentation for all TPU functions is available, either in the TPU reference manual or in the form of a separate application report. Source code for functions, which is required to combine them into a new set, is available from the Motorola bulletin board or via your local Motorola technical representative.

Due to limited microcode ROM size, compromises must often be made when selecting functions for inclusion in a new set. There are typically one or more critical operations for a given application that must have the best possible performance, and several other operations with lower performance demands.

Critical operations determine the primary functions in the new set; the remaining task is to fit functions suitable for other operations into available code space. If there is not enough space for all the functions initially desired, a performance/code size trade-off must be made. For example, there may be two functions that perform essentially the same operation, but one is more sophisticated and therefore more attractive to the user. Sophisticated functions typically require more code space than simpler functions. By selecting the simpler function, and perhaps accepting a small increase in CPU overhead, the required functionality can be made to fit in the available space. It might also be possible to fulfill two sets of requirements with a single function, perhaps with a performance limitation that can be tolerated in the given application. For example, the Queued Output Match function can be used to generate a PWM signal or to control an output pin, and thus might replace the PWM and DIO functions.

7 Checking Code Size

All the TPU functions in Appendix B have a code size, given in long words, that includes the entry points. As will be explained later, two additional long words are always required when combining these functions. The code space occupied is equal to the sum of the code sizes of the selected functions plus two — this total must be less than or equal to the 512 long word limit (256 for a device with 1 Kbyte of RAM). When more than one of the selected functions include (call) the same subroutine file, the code sizes of all the functions except one can be reduced by the size of the subroutine file. The following example shows both cases:

Function A has a code size of 40 long words, including subroutine file X

Function B has a code size of 35 long words

Function C has a code size of 50 long words, including subroutine file Y

Function D has a code size of 63 long words, including subroutine file X

Subroutine X consists of 10 long words

Subroutine Y consists of 6 long words

Total code size after combining functions A, B, C, and D is:

$$40 + 35 + 50 + (63 - 10) + 2 = 180 \text{ long words}$$

8 Obtaining Source Code from the Bulletin Board

The source code for all library functions is available on Motorola bulletin boards. The bulletin board number in the United States is (512) 891-3733. The European bulletin board is available through the Motorola Munich sales office; consult your representative for the number. Log on to the bulletin board as usual, follow the directions to the TPU section, and then download source files and documentation.

9 Assembling a New Function Set:

Once desired functions have been selected and total code size has been verified to be within the 512 long word limit, source code for individual functions must be assembled to generate executable code. Follow the procedures below, using the freeware TPU assembler TPUMASM.

TPUMASM.EXE is a microcode assembler that converts source code into hexadecimal code for the TPU microengine. It runs on IBM PC and compatible computers, and produces a listing file, an S-19 file, a symbol table, and a debugging file. The symbol table and the debugging file are used only by the TPU debugger.

Documentation for TPUMASM is available from Motorola technical representatives.

The following procedures provide sufficient information for the successful compilation of a new function set from existing previously tested functions.

1. After selecting the functions to include in a new set, and obtaining the source code for these functions, the user must write the source file that will be assembled by TPUMASM.
2. As part of the assembly process, function numbers must be assigned to the selected functions. Each function in the set must have a unique number from 15 to 0. Assign function numbers from 15 down to make most efficient use of microcode space. When including functions from the standard set, it is not necessary to keep the same function number documented in the TPU reference manual. Function numbers assigned here are those that the CPU must write into the channel function select registers when the TPU is to execute a function on a specific channel. Selection of the function number for a given function is not related to the channel number selected to execute the function.
3. After the filename and function numbers have been selected, a source file can be created. The file should take the form shown in **Figure 5**.

```

%org 0.
End_of_phase:      end.(* provide common exit points for *)

End_of_link:      (* library functions *)
    chan neg_lisl;
    end.

%Include 'qdec.uc'; function = 15.
    (* include function qdec as function number 15 *)
%Include 'pwm.uc'; function = 14.
    (* include function pwm as function number 14 *)
%Include 'ppwa.uc'; function = 13.
    (* include function ppwa as function number 13 *)
%Include 'gom.uc'; function = 12.
    (* include function gom as function number 12 *)
%Include 'dio.uc'; function = 11.
    (* include function dio as function number 11 *)
%Include 'oc.uc';function = 10.
    (* include function qdec as function number 10 *)

(* This is the end of the file *)

```

Figure 5 Example TPU Library Source File

The example assembles six functions. The various fields of the example source file have the following meanings:

(* this is a comment *)

%org 0

The %org assembler directive sets the microcode address for the start of the assembly. It is normal, as in this example, to set the origin to zero when assembling a new function set for emulation in a 2 Kbyte RAM module. For the MC68334 device, which has a 1 Kbyte RAM module, set the microcode origin to \$100.

```

End_of_phase:      end.
End_of_link:      chan  neg_lisl;
                  end.

```

These two fields are actually microcode source code and labels that are commonly used in TPU functions. They have been separated from the individual functions and are called using the common label names. This allows all the functions to share the same two instructions, thus saving code space. These instructions must always be included when assembling library functions — they fill the extra two long words that are added when calculating whether functions fit into the 512 long word code space.

%include 'funcname';function = funcnumber.

This directive tells the assembler to include the TPU source code file of name “funcname.” and assign it the function number “funcnumber”. The function number is that chosen in step 2; it can be entered in hexadecimal or decimal form. Function position in the combined code is determined by the order of the %include directives, and not by function number — this is shown in Figure 3, where the functions appear to be out of order.

4. Invoke TPUMASM: To assemble the source file created above, type:

>TPUMASM filename

TPUMASM assembles filename, and all include files, and produces files named "filename.lst", "filename.S19", "filename.SYM", and "filename.TAB" If errors are generated, they are displayed during assembly and are also present in the listing file.

APPENDIX C shows an example TPUMASM listing file. The listing file includes a memory map, entry list and identifier cross-reference. All microcode fields include a "+" in the first column, and are written as eight character (32 bit) hexadecimal numbers.

10 Assembly Errors

To maximize code efficiency, several functions may share a common subroutine. To avoid code duplication when assembling functions together, such a subroutine is often in a separate file which is incorporated via an `%include` directive in the individual function source files. An example of this approach is the "Link_chan" subroutine which is called by several of the library functions. This subroutine is in a file of its own called "Linkchan." and the appropriate directive (`%include Linkchan`) is present in all the functions that call it.

Revision 3 and later revisions of TPUMASM have a multiple include capability — the assembler ignores second and subsequent inclusions of the same file, but appends a warning message at the end of assembly to protect against an attempt to include two different files of the same name. Earlier versions of the assembler do not have this capability — when functions that call the same subroutine are assembled together, illegal label errors occur, and it is necessary to remove the `%include` directive from all but one of the source files.

Assuming that all included files have been previously tested and that there are no memory map violations, there should be no assembly errors. However, in case an error does occur, the most common assembly error messages, together with corrective action for each type of error, are listed in Appendix A.

11 Installing and Running Code in Emulation Mode

Installing and running code in emulation mode involves three steps:

1. Configuring the on-chip Emulation RAM:

Reset clears the RAM base address register (RAMBAR). Since RAMBAR contains both the array base address and the RAM module enable bit, a new base address must be set up and the RAM module must be enabled before the RAM can be loaded.

The RAM base address must not conflict with other system memory or memory-mapped peripherals. The RAM module (1K or 2K) can reside on any 2 Kbyte boundary in the MCU address map. In the case of the 1 Kbyte module, the RAM resides in the upper 1 Kbyte of the 2 Kbyte address block.

RAMBAR can be written only once after reset. Enable the RAM module by writing the base address and enable bit with a single-word write operation. Make certain that all stack pointers point to addresses elsewhere in system memory before attempting to execute a load procedure. Refer to the documentation for the RAM module.

2. Loading the code into RAM:

There are two methods of writing assembled microcode into emulation RAM:

When operating under a monitor such as CPU32Bug, microcode can be downloaded in S-record form from the host. The specific host communication program used to communicate with the monitor must provide a download facility for this purpose.

When operating under user program control, microcode must be assembled or compiled in the form of a data table by the host CPU program, then moved into emulation RAM under CPU program control. Time taken to move microcode into RAM is the only penalty for using emulation mode rather than a custom microcode mask, and the penalty should only be incurred once after reset.

3. Putting the TPU into Emulation Mode:

After RAM has been configured and loaded with microcode, it is necessary to enable RAM emulation mode for TPU access. To enable emulation mode, use either the monitor or a control program to set the EMU bit in the TPU module configuration register. Since the module configuration register contains write-once fields, it is also necessary to write the TPU prescaler control fields at the same time. Should a subsequent reset occur, the configuration register must be rewritten, but it may not be necessary to reload emulation RAM. See the *TPU Reference Manual* (TPURM/AD) for more information about the module configuration register.

While the TPU is in emulation mode, the RAM module is removed from the CPU memory map, and the vacated address space may be allocated to other devices.

Once procedures for loading and configuring the TPU for emulation mode operation are completed, the TPU will run the suite of newly installed functions as though they were contained in the control store ROM. To run the functions, the CPU must set up control registers and parameter RAM as explained in the documentation for each function.

Appendix A — TPUMASM Error Messages

Following is a list of TPUMASM error messages, probable causes of error, and corrective action.

Can't open file — File not found by TPUMASM. Check current directory.

Illegal label — Usually occurs when a label name is repeated. If two source files are using the same label, use an editor to modify all instances of the label in one of the files. If the same file is '%included' more than once, illegal label errors may occur. See main text.

Can't make macro — Usually occurs when a macro name is repeated. Use an editor to modify all instances of the label in one of the files.

Entry Address in use — Occurs when code overruns vectors. Too much code being used by microcode, or function number too small. Re-check code size and number all functions from 15 down.

Entry Address already used — Occurs when assembler attempts to write vector address in space used by microcode. Re-check code size and number all functions from 15 down.

WARNING - DUPLICATE INCLUDE FILES NOT LOADED — This is the only warning produced by the assembler. It occurs when there has been an attempt to include the same file two or more times. The second and subsequent includes will have been ignored.

Appendix B — TPU Function Library

Following is a description of the TPU function library at the time this note was prepared. New functions are continually being developed. The reader is encouraged to obtain the most recent list from the Motorola bulletin board. Existing functions may also be revised from time to time. A series of programming notes is being written to document each of the functions.

Each function entry takes the following form:

Mnemonic	Name	Code Size
-----------------	-------------	------------------

A summary of the major features of the function. Function capabilities are not fully described in these notes.

DCPM	Degree Clock with Period Measurement	79
-------------	---	-----------

This input function reads a signal from a toothed wheel sensor, and inserts a selected number of counts at even intervals between signals. The resulting count, driven on TCR2, continues to a fixed maximum and then resets, providing an approximation of the angle of wheel shaft rotation. The period of the last two teeth is maintained in a 23-bit parameter. Stall indication is provided via a host interrupt.

DIO	Discrete Input/Output	21
------------	------------------------------	-----------

Allows a TPU channel to be used as a digital I/O pin. When the pin is configured as an input, a transition detector can indicate a change of state to the CPU. Additionally, the host can define a sample rate at which the pin is to be tested and pin state reported to the CPU. The pin state parameter contains the last 16 samples, allowing debounce or noise rejection to be accomplished.

ITC	Input Capture/Transition Counter	36*
------------	---	------------

This function can perform a basic input capture operation, where a timer value is captured on a pin transition and reported to the CPU. In addition, a user can specify a number of transitions to be counted. On each transition, the captured time is returned to the CPU. When the required number of transitions has been counted, the last transition time is stored in a different location and a CPU interrupt request is made. At this point the function can also automatically link to a number of other TPU channels. The sequence of counting transitions can be programmed to occur once only or continuously.

OC	Output Compare	39
-----------	-----------------------	-----------

This output function generates a rising edge, a falling edge, or a toggle on the channel pin in one of two modes: i) When a single edge occurs a programmable period after a user-defined time. A start condition can also be specified, allowing pulse generation. ii) On receiving a link from another channel, OC generates a continuous 50% duty cycle waveform with a period that is calculated (without CPU intervention) by multiplying a period obtained from another TPU channel by a user specified ratio parameter. The OC function can also provide the CPU with current TCR values.

PMA	Period Measurement Additional/Missing	88
PMM		

This input function, primarily designed for engine control, measures the period (in TCR1 clocks) between regularly occurring input transitions and makes this period available for use by other functions or by the CPU. PMA mode detects when the period between transitions is less than a user-specified fraction of the last 'normal' period (additional transitions). PMM mode detects when the period between transitions is greater than a user-specified fractional multiple of the last 'normal' period (missing transitions). After a programmable number of additional or missing transitions are detected, the function resets the TCR2 timer counter and interrupts the CPU. The PMA_PMM process is continuous and requires no CPU intervention once configured.

PPWA	Period/Pulse-Width Accumulator	63*
-------------	---------------------------------------	------------

This input function accumulates a 24-bit sum of either the period or the high time pulse width of an input signal, over a programmable number of periods/pulses (1 to 255). An interrupt request is made when the specified number of periods/pulses has elapsed. The period/pulse width is sampled at a rate defined by the user and the incomplete sum is available to the user. By linking to an OC channel, an output signal can be generated that is proportional to that applied to the PPWA channel.

PSP Position Synchronized Pulse 96

This output function generates pulses of variable length at specified 'angles' when an angle clock has been fed into the TCR2 input pin. Angle clock period is measured (in TCR1 clocks) using the PMA_PMM function on another channel. The function uses a fractional multiply on the PMA/PMM period to accurately position pulses to a higher angular resolution than that provided by the TCR2 angle clock. The rising edge of the pulse is always defined as an angle and the falling edge can be specified as a second angle or as a time after the rising edge. Once configured, the PSP function continuously generates pulses based on the latest period information obtained from a PMA/PMM channel without CPU intervention.

PTA Programmable Time Accumulator 60

This input function accumulates a 32-bit sum corresponding to the period, the high time, or the low time of an input signal, over a programmable number (1 to 255) of periods/pulses. A CPU interrupt request is made (and optionally links) when the specified number of periods/pulses elapses. This function is an extension of the PPWA function, but it has no programmable update rate.

PWM Pulse-Width Modulation 32

This function generates a pulse-width-modulated waveform. The period and/or high time of the waveform can be changed at any time by the CPU. The function supports both 0% and 100% duty cycles. Very high resolution can be obtained depending on the frequency required.

QDEC Quadrature Decode 29

This input function uses two channels to decode a pair of out-of-phase signals in order to present the CPU with directional information and a position value. It is particularly suitable for use with slotted encoders employed in motor control. The function derives full resolution from the encoder signals and provides a 16-bit position counter with rollover/under indication via an interrupt.

QOM Queued Output Match 52

This output function lets the user set up multiple output events in a variable-sized match table which is processed by the TPU without CPU intervention. The pin response for each output event is independently programmable. This allows multiple entries with the same pin response to be used, which effectively increases the range of a single output event. The function includes loop modes which cycle through the table continuously or a programmable number of times. A link can be used to trigger the function.

RWTPIN Read/Write Timers and Pin 18

This function allows a TPU channel to be used as a digital I/O pin. It also allows the CPU to read both TCR and to selectively write to each TCR. Upon receipt of a link, the function reads the timers, updates the channel pin and interrupts the CPU. The function can also be used to manipulate the timers only, with no effect on the pin, thus making it suitable for use on a channel that has its pin controlled by another channel.

SM Stepper Motor Control 71

This function allows a sequential group of up to eight TPU channels to be used to drive a stepper motor. Once the function is configured, the CPU need only specify the required position and the function automatically accelerates and decelerates the motor to the desired position. The algorithm provides 14 programmable step rates for linear acceleration and deceleration control.

SPWM Synchronized PWM 54*

This output function generates a PWM waveform. The CPU can change the period and/or the high time of the waveform at any time. SPWM differs from the PWM function in that rising edges have a programmable time relationship to transitions on another TPU channel, including other SPWM channels. Three different operating modes allow the function to maintain complex timing relationships between channels without CPU intervention. 0% and 100% duty cycles are not supported.

* Code sizes of these functions include the subroutine file LINKCHAN (eight long words). If two or more of these functions are used, the code sizes of all but one can be reduced by eight long words.

Appendix C — EXAMPLE TPUMASM LISTING

```

$          1 (* ***** *)
$          2 (* TEST.ASC - standard exits plus one include *)
$          3 (* ***** *)
$          4 %org 0.
$          5
+000/3FFFFFFE 6 End_of_phase:      end.
$          7
$          8 End_of_link: chan neg_lsl;
+001/7FFFFFFE 9                                     end.
$         10
$         11 %include 'sqw.uc'; function = $F.
$         1 1 (* Translated by TPUCNV.EXE V0.4 *)
$         1 2 (* ***** *)
$         1 3 (* *)
$         1 4 (* Function:      SQW -      SQUARE WAVE *)
$         1 5 (* *)
$         1 6 (* Creation Date: 03/Mar/92                From: NEW *)
$         1 7 (* *)
$         1 8 (* Author: Amy Dyson *)
$         1 9 (* *)
$        110 (* Description: *)
$        111 (* ----- *)
$        112 (*SQW produces a continuous square wave after initialization.The *)
$        113 (*user chooses the period by writing the parameter HIGH_TIME in ram. *)
$        114 (* (High time and low time are the same.) HIGH_TIME must be between *)
$        115 (* $0000-$8000. *)
$        116 (* *)
$        117 (* Updates:   By:      Modification: *)
$        118 (* -----   ---   ----- *)
$        119 (* 11/Apr/93   JL      Converted to new syntax. *)
$        120 (* *)
$        121 (*-----*)
$        122 (* Standard Exits Used:-      End_Of_Phase: N          End_Of_Link: Y *)
$        123 (* *)
$        124 (* External Files included: NONE *)
$        125 (* *)
$        126 (* CODE SIZE excluding standard exits = 11 LONG WORDS *)
$        127 (*-----*)
$        128 (* *)
$        129 (* *)
$        130 (* ***** This Revision: REV B ***** *)
$        131 (* *)
$        132 (* ***** LAST MODIFIED: 11/Apr/93          BY: Jeff Loeliger ***** *)
$        133 (* *)
$        134 (* ***** *)
$        135
$        136

```

```

$      1 37 (*())()()()()()()()()() DATA STRUCTURE ()()()()()()()()()()() * )
$      1 38 (* * )
$      1 39 (* name:                Written By:                Location Bits:        * )
$      1 40 (* ----                    -----                    ----- * )
$      1 41 (* HIGH_TIME_SQW          CPU                        Parameter0 0.15     * )
$      1 42 (*                                High time of period. (Also the low time, since * )
$      1 43 (*                                this is a square wave.) HIGH_TIME_SQW cannot * )
$      1 44 (*                                be greater than $8000. * )
$      1 45 (* * )
$      1 46 (* hsr1    hsr0            Action * )
$      1 47 (* ----    ----            ----- * )
$      1 48 (* 1        1                Initialize continuous square wave * )
$      1 49 (* * )
$      1 50 (* * )
$      1 51 (* Links Accepted: NO      Links Generated: NO    * )
$      1 52 (* * )
$      1 53 (* Interrupts Generated After:   No interrupts generated * )
$      1 54 (* * )
$      1 55 (*())()()()()()()()()()()()()()()()()()()()()()()()()()()()()()() * )
$      1 56 (* )
$      1 57 (* )
$      1 58 (*+++++++=+ PARAMETER MACROS +++++++ * )
$      1 59 (* )
$      1 60 %macro HIGH_TIME_SQW        'prm0'.
$      1 61 (*+++++++=+ * )
$      1 62 (* )
$      1 63 (* )
$      1 64 (*===== * )
$      1 65 (*||| MICROCODE STARTS BELOW ||| * )
$      1 66 (*VVVVVVVVVVVVVVVVVVVVVVVVVVVVVVVVVVVVVVVVVVVVVVVVVVVVVVVVVVVVVVVVVVVVVVVVVV * )
$      1 67 (* )
$      1 68 (* )
$      1 69 (* * )
$      1 70 (* * )
$      1 71 (* ENTRY name: INIT_SQW * )
$      1 72 (* * )
$      1 73 (* STATE(S) ENTERED: S1 * )
$      1 74 (* * )
$      1 75 (* PRELOAD PARAMETER: HIGH_TIME_SWQ * )
$      1 76 (* * )
$      1 77 (* ENTER WHEN: HSR = %11 * )
$      1 78 (* * )
$      1 79 (* ACTION: set time base as TCR1, set pin high, and pac to toggle * )
$      1 80 (*         pin after each match. Write the current time + the * )
$      1 81 (*         HIGH_TIME to the mer. Negate latches. Enable service * )
$      1 82 (*         requests. * )
$      1 83 (* * )
$      1 84 (* * )
$      1 85 %entry name = INIT_SQW; start_address *; disable_match;
$      1 86 cond hsr1=1, hsr0=1, lsr=x, m/tsr=x, pin=x, flag0=x;
$      1 87 ram p <-@HIGH_TIME_SQW.
$      1 88 (* )
$      1 89 chan TBS:= out_ml_c1,    (* pin is output, use TCR1 * )
$      1 90          PAC:= toggle,     (* toggle pin on match * )
$      1 91          pin:= high,       (* initialize pin as high * )
+002/BFFF477C 1 92          enable_mtsr.        (* enable m/tsr requests * )
$      1 93 (* )
$      1 94 au     ert:= tcr1+p;           (* write current time + * )
$      1 95 chan   write_mer,             (* high time to mer * )
$      1 96          neg_mr1, neg_tdl, neg_lsl;  (* negate latches * )
+003/58583EFE 1 97          end.                      (* end of S1 * )
$      1 98 (* )

```



```

$          1 99 (***** *)
$          1 100 (* *)
$          1 101 (* ENTRY name: MATCHED_SQW *)
$          1 102 (* *)
$          1 103 (* STATE(S) ENTERED: S2 *)
$          1 104 (* *)
$          1 105 (* PRELOAD PARAMETER: HIGH_TIME_SWQ *)
$          1 106 (* *)
$          1 107 (* ENTER WHEN: HSR = %00 m/tsr=1 lsr=X flag0=X pin=X *)
$          1 108 (* *)
$          1 109 (* ACTION: Write HIGH_TIME_SQW + last match time to mer, neg_mrl. *)
$          1 110 (* *)
$          1 111 (***** *)
$          1 112 %entry name = MATCHED_SQW; start_address *; disable_match;
$          1 113 cond hsr1=0,hsr0=0,lsr=x,m/tsr=1,pin=x,flag0=x;
$          1 114 ram p <-@HIGH_TIME_SQW.
$          1 115
$          1 116         au         ert:= ert + p;          (* write last match time + *)
$          1 117         chan      write_mer,              (* high time to mer *)
$          1 118         neg_mrl, neg_tdl, neg_lsl; (* negate latches *)
+004/5C583EFE 1 119         end.                          (* end of S2 *)
$          1 120
$          1 121 (***** *)
$          1 122 (*          UNUSED STATES *)
$          1 123 (***** *)
$          1 124
$          1 125 %entry name = UNUSED_SQW; start_address END_OF_LINK; disable_match;
$          1 126 cond hsr1=0,hsr0=1,lsr=x,m/tsr=x,pin=x,flag0=x.
$          1 127
$          1 128 %entry name = UNUSED_SQW; start_address END_OF_LINK; disable_match;
$          1 129 cond hsr1=1,hsr0=0,lsr=x,m/tsr=x,pin=x,flag0=x.
$          1 130
$          1 131 %entry name = UNUSED_SQW; start_address END_OF_LINK; disable_match;
$          1 132 cond hsr1=0,hsr0=0,lsr=1,m/tsr=0,pin=x,flag0=x.
$          12
$          13
$ENTRY TABLE
$=====
+1F8/E801E801 UNUSED_SQW          UNUSED_SQW
+1F9/E8010002 UNUSED_SQW          INIT_SQW
+1FA/00040004 MATCHED_SQW        MATCHED_SQW
+1FB/00040004 MATCHED_SQW        MATCHED_SQW
+1FC/E801E801 UNUSED_SQW          UNUSED_SQW
+1FD/E801E801 UNUSED_SQW          UNUSED_SQW
+1FE/00040004 MATCHED_SQW        MATCHED_SQW
+1FF/00040004 MATCHED_SQW        MATCHED_SQW
$

```

```
$ROM MAP
$=====
$ 0123456789ABCDEF
$ -----
$00 XXXXX.....
$01.....
$02.....
$03.....
$04.....
$05.....
$06.....
$07.....
$08.....
$09.....
$0A.....
$0B.....
$0C.....
$0D.....
$0E.....
$0F.....
$10.....
$11.....
$12.....
$13.....
$14.....
$15.....
$16.....
$17.....
$18.....
$19.....
$1A.....
$1B.....
$1C.....
$1D.....
$1E.....
$1F.....EEEEEEE
$20.....
```

```

$====> 5 U_instructions generated
$====> 8 Entry lines generated
$====> 13 Total
$
$ENTRY TABLE MAP
$=====
$180 .. .. . . . . . . . . . .
$188 .. .. . . . . . . . . . .
$190 .. .. . . . . . . . . . .
$198 .. .. . . . . . . . . . .
$1A0 .. .. . . . . . . . . . .
$1A8 .. .. . . . . . . . . . .
$1B0 .. .. . . . . . . . . . .
$1B8 .. .. . . . . . . . . . .
$1C0 .. .. . . . . . . . . . .
$1C8 .. .. . . . . . . . . . .
$1D0 .. .. . . . . . . . . . .
$1D8 .. .. . . . . . . . . . .
$1E0 .. .. . . . . . . . . . .
$1E8 .. .. . . . . . . . . . .
$1F0 .. .. . . . . . . . . . .
$1F8 EE EE EE EE EE EE EE EE
$
$====> 16 Entries generated
$
$LABELS:
$=====
$Label                Hex    dec
$=====                ==   =====
$END_OF_LINK          001  0/  1
$END_OF_PHASE         000  0/  0
$
$MACROS:
$=====
$macro                body
$=====                =====
$HIGH_TIME_SQW        PRM0
$
$                      NO ERRORS
$                      -----
$

```

Motorola reserves the right to make changes without further notice to any products herein. Motorola makes no warranty, representation or guarantee regarding the suitability of its products for any particular purpose, nor does Motorola assume any liability arising out of the application or use of any product or circuit, and specifically disclaims any and all liability, including without limitation consequential or incidental damages. "Typical" parameters which may be provided in Motorola data sheets and/or specifications can and do vary in different applications. All operating parameters, including "Typicals" must be validated for each customer application by customer's technical experts. Motorola does not convey any license under its patent rights nor the rights of others. Motorola products are not designed, intended, or authorized for use as components in systems intended for surgical implant into the body, or other applications intended to support or sustain life, or for any other application in which the failure of the Motorola product could create a situation where personal injury or death may occur. Should Buyer purchase or use Motorola products for any such unintended or unauthorized application, Buyer shall indemnify and hold Motorola and its officers, employees, subsidiaries, affiliates, and distributors harmless against all claims, costs, damages, and expenses, and reasonable attorney fees arising out of, directly or indirectly, any claim of personal injury or death associated with such unintended or unauthorized use, even if such claim alleges that Motorola was negligent regarding the design or manufacture of the part. MOTOROLA and M are registered trademarks of Motorola, Inc. Motorola, Inc. is an Equal Opportunity/Affirmative Action Employer.

How to reach us:

USA/EUROPE/Locations Not Listed: Motorola Literature Distribution;

P.O. Box 5405, Denver Colorado 80217. 1-800-441-2447, (303) 675-2140

Mfax™: RMFAX0@email.sps.mot.com - TOUCHTONE (602) 244-6609, U.S. and Canada Only 1-800-774-1848

INTERNET: <http://Design-NET.com>

JAPAN: Nippon Motorola Ltd.; Tatsumi-SPD-JLDC,

6F Seibu-Butsuryu-Center, 3-14-2 Tatsumi Koto-Ku, Tokyo 135, Japan. 81-3-3521-8315

ASIA PACIFIC: Motorola Semiconductors H.K. Ltd.; 8B Tai Ping Industrial Park,

51 Ting Kok Road, Tai Po, N.T., Hong Kong. 852-26629298

Mfax is a trademark of Motorola, Inc.



MOTOROLA